

## **Installation instructions**

**Audi A7 (F2) 2018 ►**

**Carrier units**

**Scope of delivery 4K8.071.126**

**Audi Genuine Accessories**

Edition 01



## Contents

<b>1</b>	<b>Notes</b> .....	<b>1</b>
1.1	General notes .....	1
<b>2</b>	<b>Safety notes</b> .....	<b>2</b>
2.1	General safety notes .....	2
2.2	Safety notes to be checked before and after each journey and when in use .....	3
2.3	Safety instructions for driving with carrier units .....	3
2.3.1	Altered vehicle height .....	3
2.3.2	Sensitivity to side winds .....	4
2.4	Safety notes for loading .....	4
2.4.1	Permissible roof load and loading .....	4
2.4.2	Loading the roof load in the correct manner for the load in question .....	4
2.4.3	Width of load .....	5
2.4.4	Tensioning carrier units .....	5
2.4.5	Installation and loading sequence for carrier units .....	5
2.4.6	Rear lid opening range .....	6
2.4.7	Panorama glass roof opening area .....	6
<b>3</b>	<b>Scope of delivery and overview of components</b> .....	<b>7</b>
3.1	Scope of delivery .....	7
3.2	Overview of components .....	7
<b>4</b>	<b>Installing/removing carrier units on the vehicle</b> .....	<b>9</b>
4.1	Installing carrier units on the vehicle .....	9
4.2	Installing roof rack modules using T-slot nuts .....	13
4.3	Installing the profile cover .....	13
4.3.1	Installing the profile cover without using T-slot nuts to secure roof rack modules: .....	13
4.3.2	Installing the profile cover using T-slot nuts to secure roof rack modules: .....	13
4.4	Removing the carrier units from the vehicle .....	14
4.5	Maintenance instructions .....	15
4.6	Technical notes .....	15
4.7	Adjusting the carrier unit width .....	15



# 1 Notes

## 1.1 General notes

Please read these instructions carefully and note the WARNING, Caution and Note descriptions before installing the carrier units.



### **WARNING**

*Text with this symbol contains information concerning your safety and indicates potential accident and injury risks.*



### **Caution**

*Text with this symbol indicates the risk of damage to your vehicle.*



### **Note**

*Text with this symbol contains additional useful information.*

**AUDI AG shall not accept responsibility in the event of failure to comply with these installation instructions.**



## 2 Safety notes

### 2.1 General safety notes

 **WARNING**

*Please read these assembly instructions carefully before starting installation. Non-compliance with these installation instructions and safety notes will compromise your safety and that of third parties.*

 **WARNING**

*All bolted connections and connections for the carrier units and for the roof rack modules must be checked prior to travelling to make sure that they are correctly positioned and installed. Tighten if necessary.*

*Recheck bolted connections and connections at appropriate intervals and tighten if necessary. The bolted connections and connections must be checked at short intervals if travelling on a poor stretch of road.*

*If these guidelines are not observed, this can result in the carrier units or the roof rack modules becoming loose or falling off – risk of accident!*

 **WARNING**

*The procedures and safety notes detailed in these instructions for the installation, handling and use of the carrier units must always be observed.*

- ◆ *Deviating from these instructions can cause the carrier units or the mounted roof rack module to come loose.*
- ◆ *The carrier units are designed such that the vehicle will not be damaged if components are installed, handled and used properly.*
- ◆ *The manufacturer is not liable for any damage resulting from failure to comply with the installation procedure or notes specified.*
- ◆ *All forms of warranty claim against the manufacturer are invalidated if installation, handling or use of the components is not carried out as specified in these instructions.*

 **WARNING**

*Repairs or the replacement of parts must only be performed by a qualified workshop. It is recommended that genuine spare parts available from your Audi partner are used.*

 **WARNING**

*The driver is responsible for making sure that his view and ability to hear are not impaired by his load or by the condition of the vehicle.*

*He must make sure that the load does not prevent the vehicle from complying with country-specific regulations and that road safety is not compromised.*



 **Note**

- ◆ When driving with a roof load, make sure that the German Road Traffic Regulations (StVZO) or any country-specific regulations are observed.
- ◆ For reasons of convenience, it is common for the carrier units with/without roof rack modules to remain on the vehicle, even if they are not in use. Your vehicle will consume more fuel due to increased wind resistance.
- ◆ We therefore recommend that you remove the carrier units after use.
- ◆ Increased wind noise can result from driving with the roof bars attached.
- ◆ Do not use elasticated straps or bungee cords!
- ◆ Replace damaged components immediately.

## 2.2 Safety notes to be checked before and after each journey and when in use

 **WARNING**

**Check that the carrier units and the load to be transported are securely attached:**

- ◆ Before the start of every journey,
- ◆ After approx. 10 km of the journey,
- ◆ approx. every 300 km on good roads
- ◆ Frequently on poor roads (due to vibration),
- ◆ Regularly to make sure that there has been no movement/displacement.

**If the carrier units are not checked to make sure that they are secure and to check whether any fasteners need tightening, they could work loose and parts may therefore be lost, despite installation being carried out properly – risk of accident!**

**In the event of a change in position, drive at a reduced speed until the next opportunity to stop safely and then re-tighten the bolted connections and fixtures on the carrier units.**

## 2.3 Safety instructions for driving with carrier units

### 2.3.1 Altered vehicle height

 **Caution**

**Fitting carrier units changes the height of your vehicle.**

**Pay particular attention to:**

- ◆ Low-hanging branches
- ◆ Passages with reduced head-room clearance
- ◆ Entrances to garages with reduced head-room clearance
- ◆ Height restrictions in multi-storey car parks and underground car parks.

 **Caution**

**Do not enter a car wash with carrier units with/without roof rack modules installed.**



## 2.3.2 Sensitivity to side winds

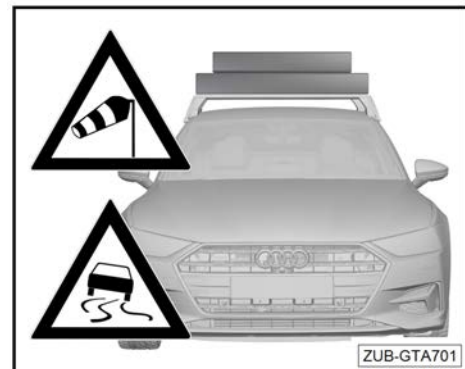
### **WARNING**

*The load affects driving and braking behaviour and the vehicle's sensitivity to side winds. Adapt your driving style accordingly – risk of accident!*

*Do not exceed the maximum speed of 130 km/h (81 mph).*

*When driving in strong side winds, make sure that you take extra care:*

- ◆ *when moving into and out of the slipstream of a lorry,*
- ◆ *when driving past hedgerows, trees, walls and buildings as well as any other wind barriers,*
- ◆ *when driving over bridges*



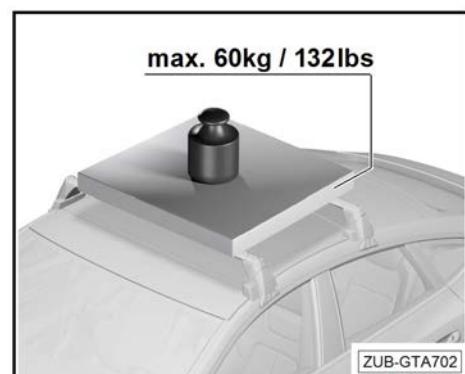
## 2.4 Safety notes for loading

### 2.4.1 Permissible roof load and loading

#### **WARNING**

*Do not exceed the permissible roof load of 60 kg (132 lbs.) – risk of accident!*

*Do not exceed the gross vehicle weight rating of carrier units, roof rack modules and load of 60 kg (132 lbs.) – risk of accident!*

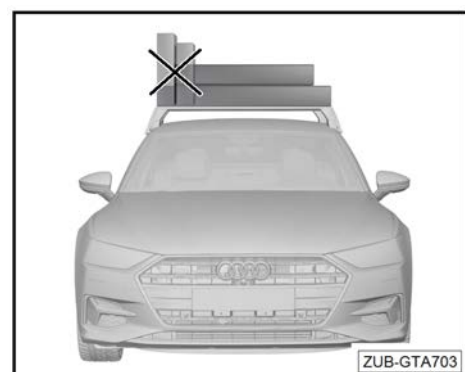


### 2.4.2 Loading the roof load in the correct manner for the load in question

#### **WARNING**

*Load the roof load onto the carrier units in the correct manner for the load in question – risk of accident!*

*Avoid loading on one side – risk of accident!*

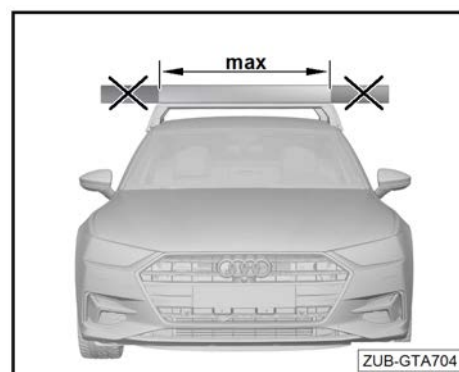


### 2.4.3 Width of load

**⚠ WARNING**

*The load must not protrude past the edges of the carrier units to the left or right – risk of accident!*

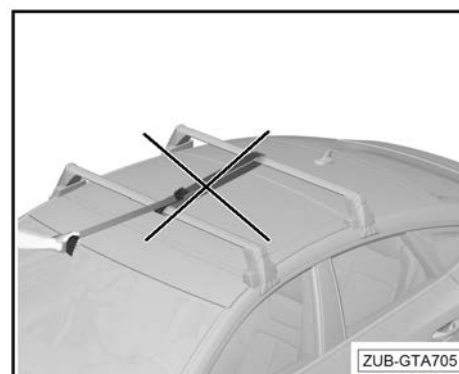
*Avoid loading on one side – risk of accident!*



### 2.4.4 Tensioning carrier units

**⚠ WARNING**

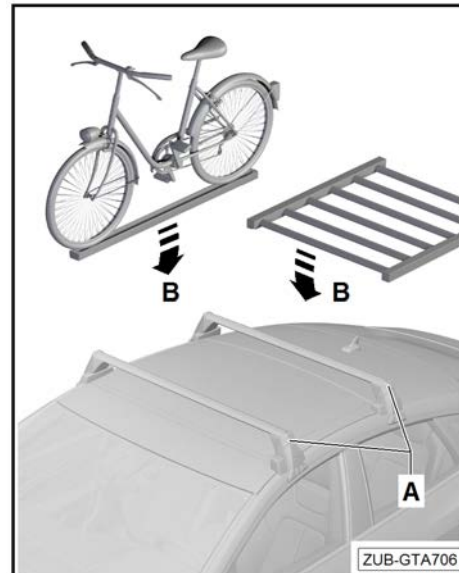
*Do not tension carrier units against each other – risk of accident!*



### 2.4.5 Installation and loading sequence for carrier units

**⚠ WARNING**

*Only fit the add-on components -B- once the carrier units -A- have been installed on the vehicle – risk of accident!*

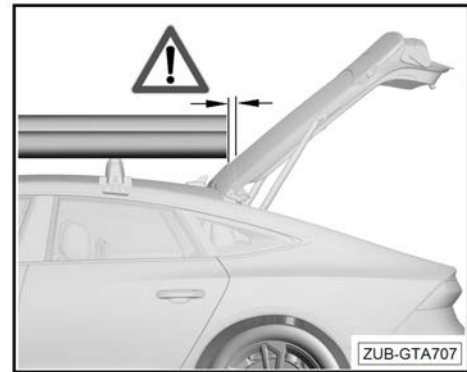




## 2.4.6 Rear lid opening range

### ⚠ Caution

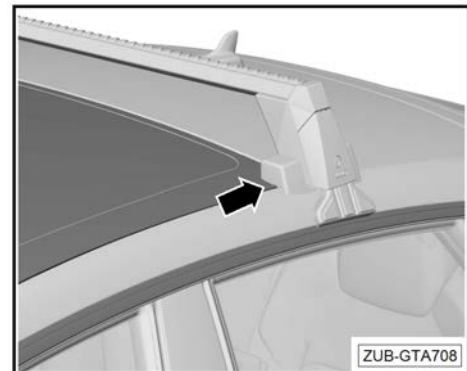
*To prevent damage to the vehicle, make sure that the rear lid is opened carefully after longer objects have been loaded onto the vehicle. For vehicles featuring automatic rear lid operation, it is recommended that you adjust the opening angle as required ⇒ Vehicle Owner's Manual.*



## 2.4.7 Panorama glass roof opening area

### ⚠ WARNING

*On vehicles with a panorama glass roof, it is no longer possible to open the panorama glass roof once the carrier unit has been installed!*





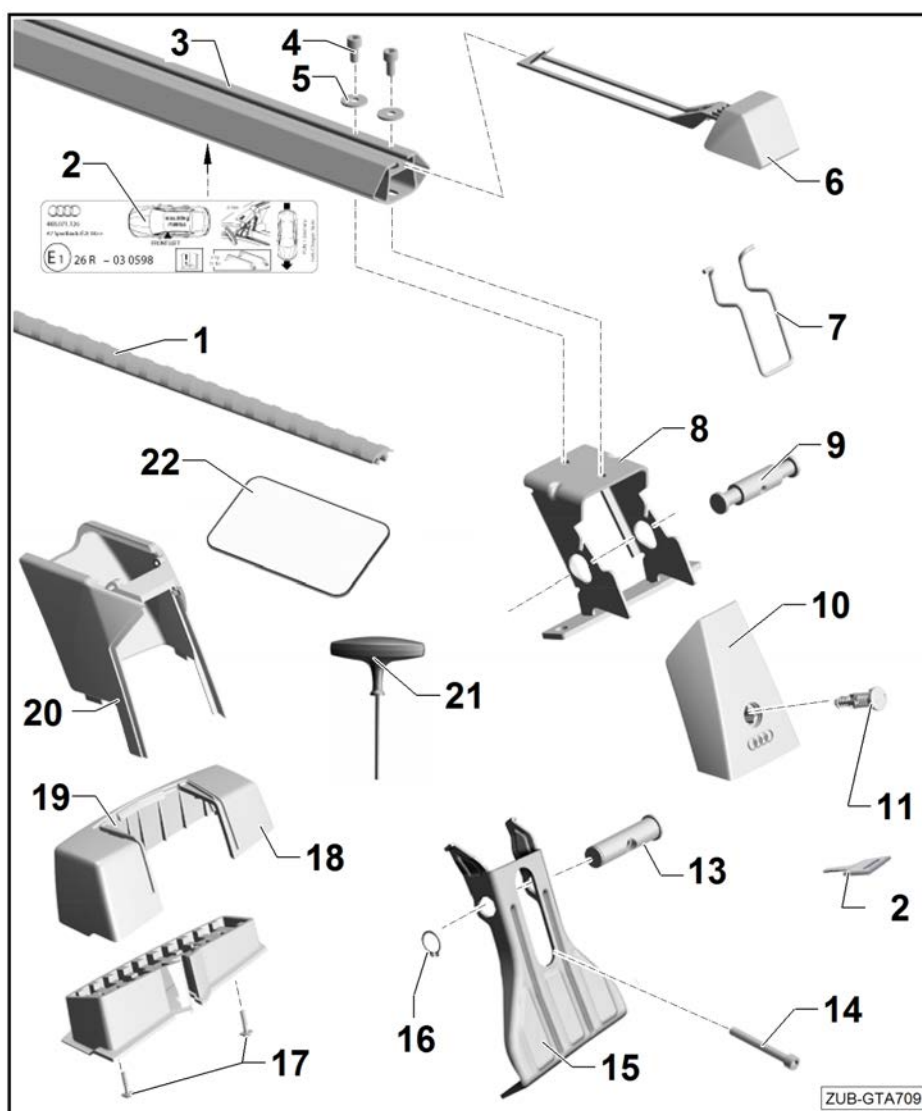
## 3 Scope of delivery and overview of components

### 3.1 Scope of delivery

Units	Description	Information
1	Front roof bars	Label on the underside in direction of travel left
1	Rear roof bars	Label on the underside in direction of travel left
2	Profile cover	Length approx. 1250 mm
1	Torque wrench 4 Nm	
2	Keys	
1	Assembly tool	
1	Fitting instructions	

### 3.2 Overview of components

- 1 - Profile cover (2x)
- 2 - Label (2x)
  - "front left", "rear left"
- 3 - Profile tube (2x)
- 4 - Hexagon bolt M6 x 12 (8x)
- 5 - Washer M6 (8x)
- 6 - Profile cap (4x)
- 7 - Hinge wire (4x)
- 8 - Base bracket (4x)
- 9 - Bolts (4x)
- 10 - Cover flap (4x)
- 11 - Lock (4x)
- 12 - Key (2x)
- 13 - Claw fastener bolt (4x)
- 14 - Tensioning bolt (4x)
- 15 - Claw fastener (4x)
- 16 - Circlip (4x)
- 17 - Bolts (8x)
- 18 - Plastic base support (4x)
- 19 - Cover for plastic base support (4x)
- 20 - Base bracket cover (4x)





**21 - 4-Nm torque wrench (1x)**

**22 - Assembly tool**



## 4 Installing/removing carrier units on the vehicle

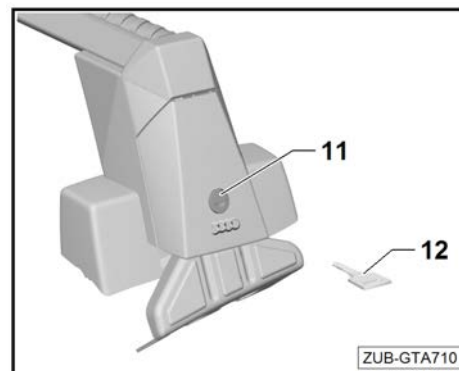
### Note

- ◆ When securing the roof rack modules without a T-slot nut, install the profile cover on the carrier unit before mounting the carrier unit on the vehicle. → Page 13
- ◆ The carrier units must be installed by two people.

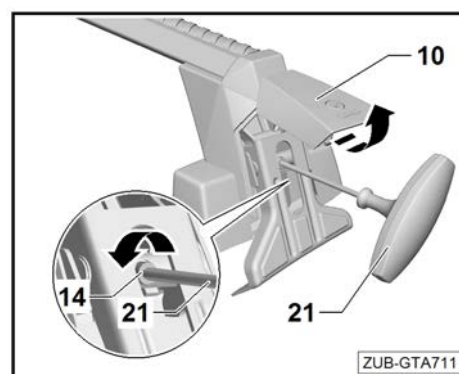
### 4.1 Installing carrier units on the vehicle

#### Preparing carrier units for installation:

- Open the lock -12- using the key -11-.
- Note the key number of your roof bars. This will facilitate replacement in the event of loss.



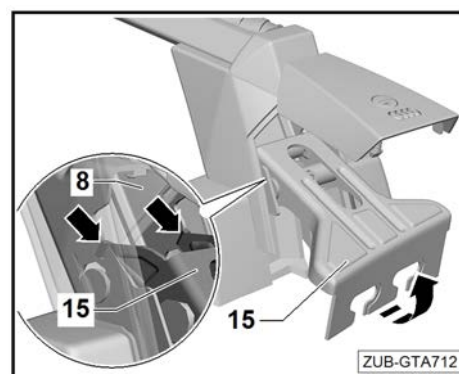
- Open the cover flaps -10-.
- Connect the torque wrench -21- to the bolts -14- and unscrew until obvious resistance is felt.



- Swivel out the claw fasteners -15- and hook the narrow end of the claw fasteners in the installation position on the base brackets -8-.

### Note

When in the installation position, the claw fasteners -15- are a clear distance from the support brackets.



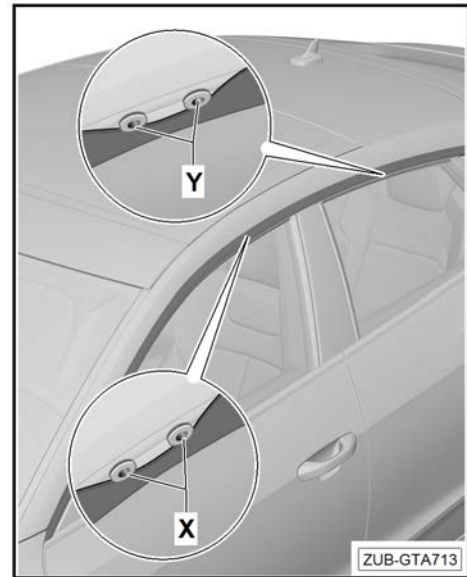


### Preparing the vehicle for installation:

The positioning bolts -X- for the front roof bar are located on the roof frame under the sealing lip -bottom magnifying glass-.

The positioning bolts -Y- for the rear roof bar are located on the roof frame under the sealing lip -top magnifying glass-.

- Thoroughly clean position -X- and position -Y- as well as the vehicle roof and the carrier units in the contact area (they must be free from dust and grease).
- ◆ Clean the contact area between the vehicle roof and the roof bars thoroughly (they should be free from dust and grease).

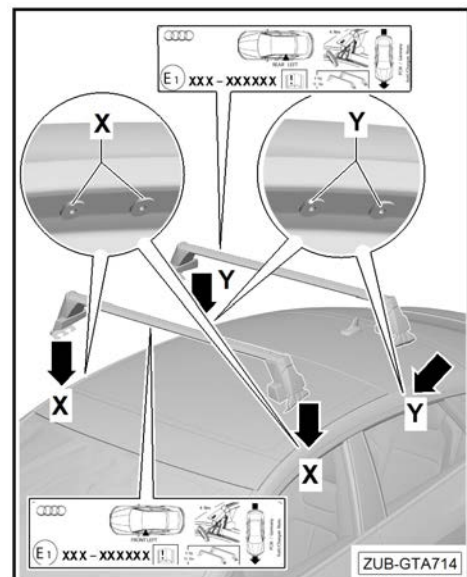


### Installing carrier units:

- Carefully position both carrier units on the vehicle roof in the area of the positioning bolts -X- at the front and -Y- at the rear. The claw fasteners must be in the installation position when positioning the roof bars. Observe the labels -2- on the underside of the profile tubes when positioning the roof bars.

#### **i** Note

- ◆ *The labels on the underside of the profile tubes must be on the left-hand side of the vehicle and the printed arrow must point in the direction of travel.*
- ◆ *It is recommended that the carrier units are installed with help from another person.*

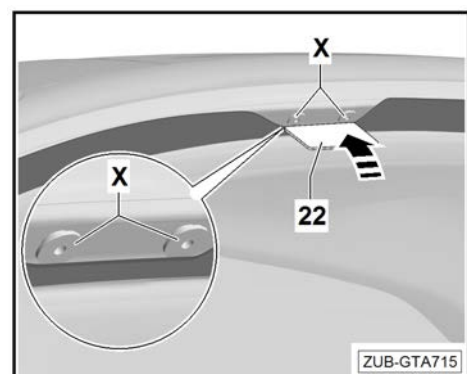


### Installing the front roof bar:

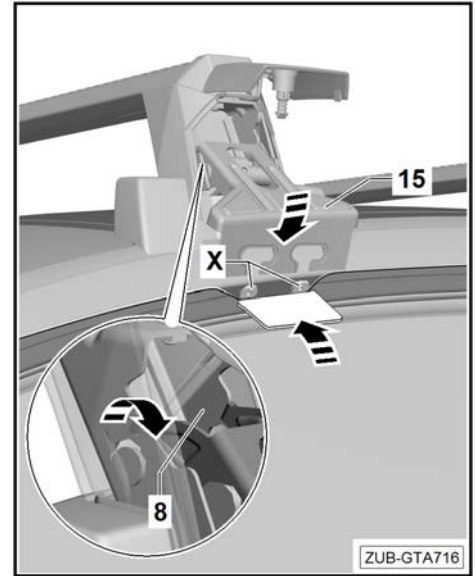
#### **i** Note

*The rear roof bar is installed in the same manner. The only difference is that positioning bolts -Y- are used to install the rear roof bar.*

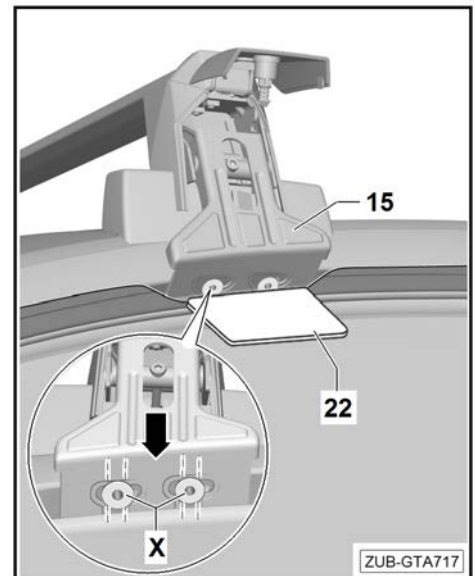
- Pull the sealing lip gently outward and carefully insert the installation aid -22- between the positioning bolts and rubber lip. Now position the installation aid so that it is centred with the positioning bolts -X-. The positioning bolts -X- must be visible.



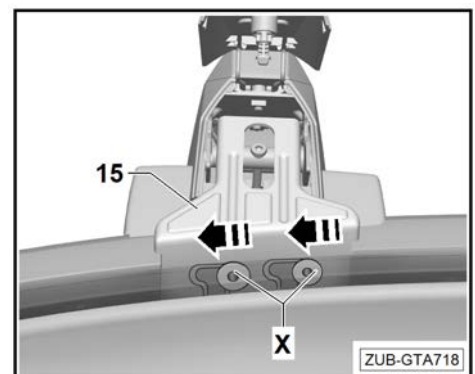
- Unhook the claw fastener -15- from the installation position on the base bracket -8- by pulling upward, then swivel down.



- Insert the claw fastener -15- over the positioning bolts -X- above the installation aid -22- and slide on the claw fastener carefully as far as it will go -arrow-.



- Slide the claw fasteners -15- incl. support bracket forwards as far as it will go in the direction of travel -direction of arrow-.
- The positioning bolts -X- must be hooked into the claw fastener -15-.
- Remove the installation aid.



**⚠ Caution**

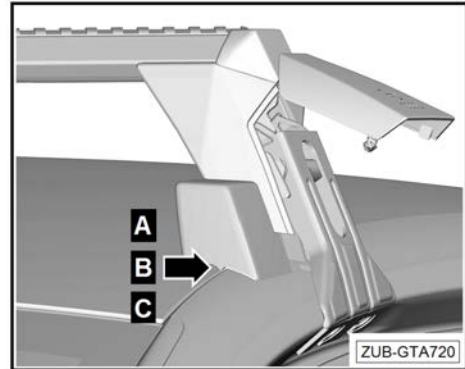
**Slide the positioning bolts -X- as far as they will go in the claw fastener -15-.**

**If the claw fastener -15- will not easily slide, check the position of the roof bar and correct it.**

**Setting the roof bar width ⇒ Page 15**

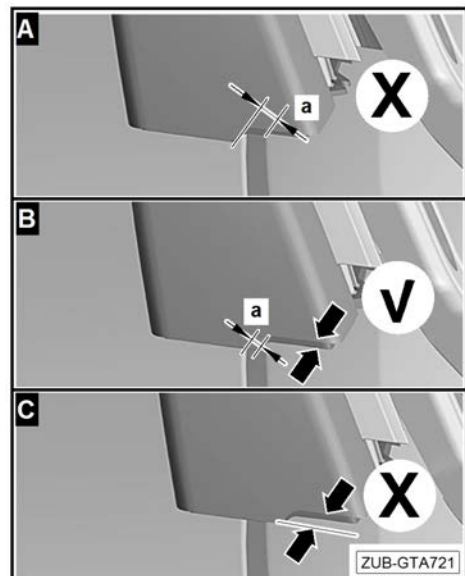


- Align the roof bar laterally — make sure it sits correctly on the roof edge -arrow-.



The gap -a- must not exceed 1 mm.

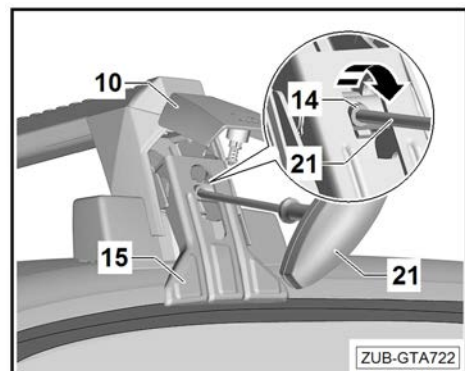
If the plastic base supports are not flush with the roof support -18-, we recommend that you have the width adjustment checked and corrected by a qualified workshop. Adjusting the carrier unit width ⇒ **“Adjusting the carrier unit width”** on page 15. Install the carrier units before doing so.



- Gently tighten the bolts -14- alternately using the torque wrench -21-.
- Check the position of the plastic base supports with the roof support -18- and claw fasteners -15- and correct as necessary.
- Tighten one tensioning bolt -14- after another using the torque wrench -21- until the torque wrench -21- makes an audible clicking sound. This indicates that the correct tightening torque has been applied.

**⚠ Caution**

**After tightening the clamping screws -14-, check the plastic base supports with roof support -18- are correctly positioned on the edge of the roof. If the plastic base supports with roof support -18- are not correctly positioned on the edge of the roof, have the width adjustment corrected by a qualified workshop. Setting the roof bar width ⇒ **“Adjusting the carrier unit width”** on page 15**



- Close the cover flap -10- and lock the lock -11- with the key -12-.
- Remove the key -12-.

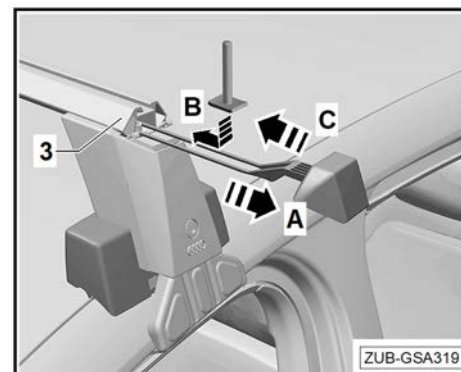


## 4.2 Installing roof rack modules using T-slot nuts

- To install the T-slot nuts, remove the profile cap -5- from the profile tube -2- -arrow A-.
- Insert the T-slot nut in the T groove provided -arrow B-.
- Slide the profile cap -6- back on and close it -arrow C-.

### Note

Secure the roof rack modules to the T-slot nuts in accordance with the respective installation instructions.



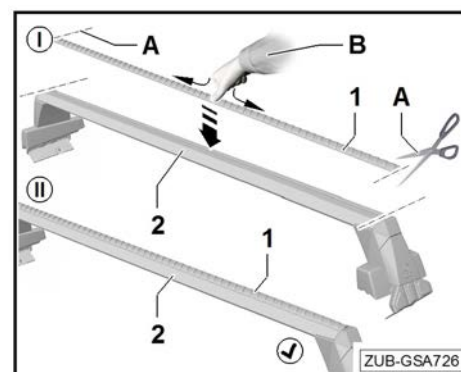
## 4.3 Installing the profile cover

### Note

Do not use lubricants to install the profile cover!

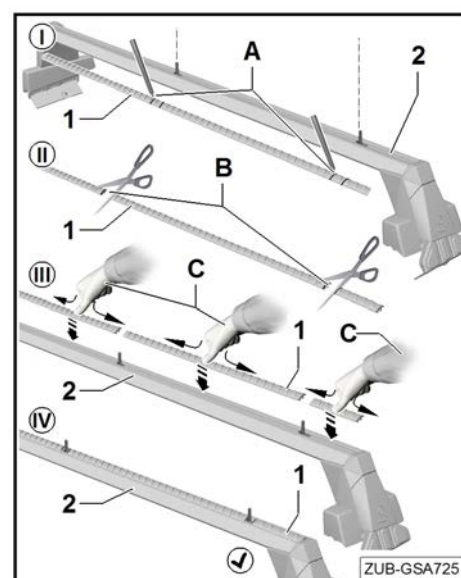
### 4.3.1 Installing the profile cover without using T-slot nuts to secure roof rack modules:

- I - Measure the profile cover -1- then shorten it using a suitable workshop tool -A-. Starting from the centre and working outwards, press the profile cover into the carrier unit -2- -B-.
- II - The profile cover -1- must engage along the entire length of the T-groove in the carrier unit -2-.



### 4.3.2 Installing the profile cover using T-slot nuts to secure roof rack modules:

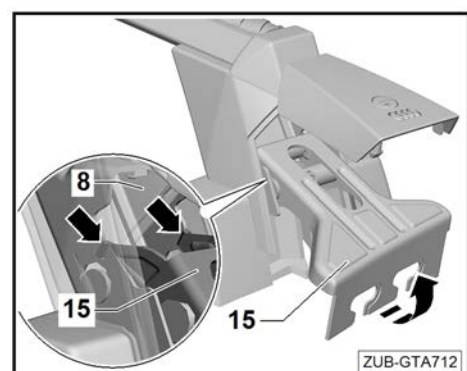
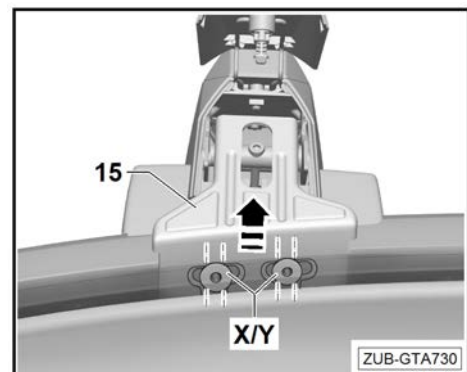
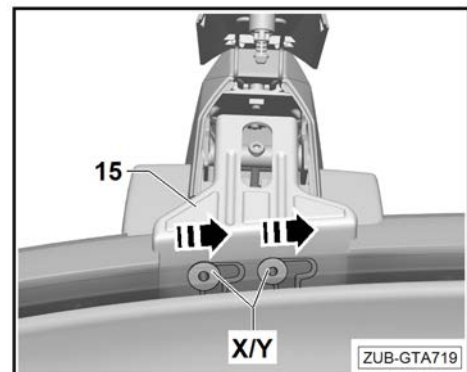
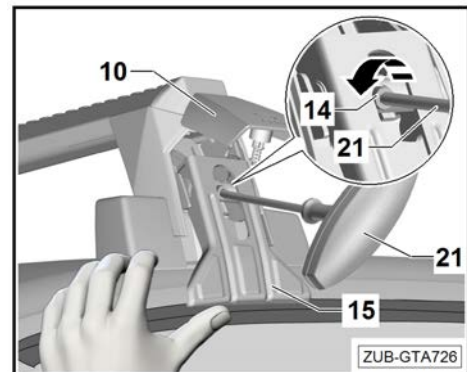
- I - Measure the profile cover -1- and mark out the sections -A-.
- II - Shorten the profile cover -1- using a suitable workshop tool -B-.
- III - Starting from the centre and working outwards in each case, press the profile cover sections -1- into the free areas of the T-groove on the carrier unit -2- between the T-slot nuts -C-.
- IV - The profile cover -1- must engage along the entire length of the T-groove in the carrier unit -2-.





#### 4.4 Removing the carrier units from the vehicle

- Remove the load and the roof rack modules.
- Open the lock -11- using the key -12- and open the cover flap -10-.
- Unscrew the left and right tensioning bolts -21- alternately using the torque wrench -14- until obvious resistance is felt.
- Slide the claw fasteners -15- including the support bracket backwards against the direction of travel as far as they will go to the positioning bolts -X- and -Y-.
- Slide the claw fasteners -15- including the support bracket forwards approx. -8 mm- so that the assembly opening and the positioning bolts -X- and -Y- are in alignment.
- Remove the claw fasteners -15- from the positioning bolts -X- or -Y-, swivel them upwards and hook the narrow end of the claw fasteners in the installation position on the base bracket -8-.
- Carefully remove the carrier units from the vehicle roof.
- Unhook the claw fasteners -15- from the installation position and swivel downward.
- Screw in the tensioning bolt -14- by approx. 10 rotations.
- Close the cover flap -10- and lock the lock -11- with the key -12-.
- Remove the key -12-.







## 4.5 Maintenance instructions

### Carrier units

The carrier units must always be cleaned and kept in good order. It is particularly important to remove any dirt and salt in the winter.

The carrier units can be cleaned using water.

### Locks

The locks must be maintained after several locking cycles have passed, and always after wet cleaning has been performed. This process involves spraying the dust/dirt guard and the inside of the cylinder with an appropriate lubricant and then actuating the lock several times using the key.



#### **WARNING**

***Do not use any lubricants on the bolted connections.***

***Failure to comply with these instructions may result in the carrier units becoming detached, causing injury to you or others and/or damage to property.***



#### **Caution**

***Do not use a high-pressure cleaner to clean the kayak holders.***

## 4.6 Technical notes

### Technical data

Dead weight of carrier unit set: approx. 6 kg (13 lbs.).

### Roof load/load

#### **To determine the roof load:**

---

Weight of the carrier unit

+ weight of the roof rack module

+ weight of the load

---

= roof load

---



#### **WARNING**

***Never exceed:***

- ◆ ***The maximum permissible roof load (60 kg/132 lbs.)***
- ◆ ***the gross axle weight rating,***
- ◆ ***the maximum gross vehicle weight rating for the vehicle ⇒ Vehicle Owner's Manual.***

## 4.7 Adjusting the carrier unit width



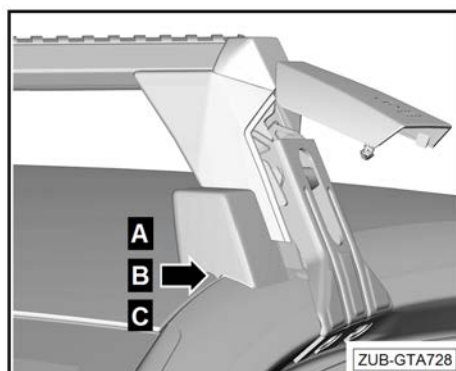
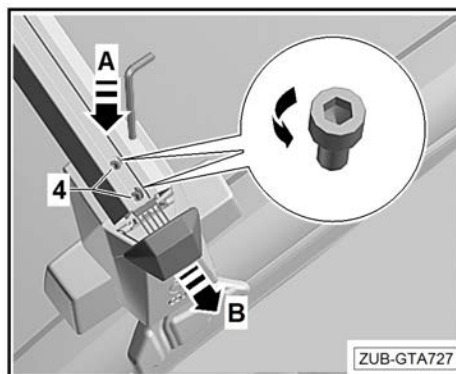
#### **Note**

- ◆ *Each carrier unit is pre-adjusted by the manufacturer in line with your vehicle's requirements.*
- ◆ *If the carrier units are not correctly adjusted, the correct basic setting must be made by a qualified workshop.*

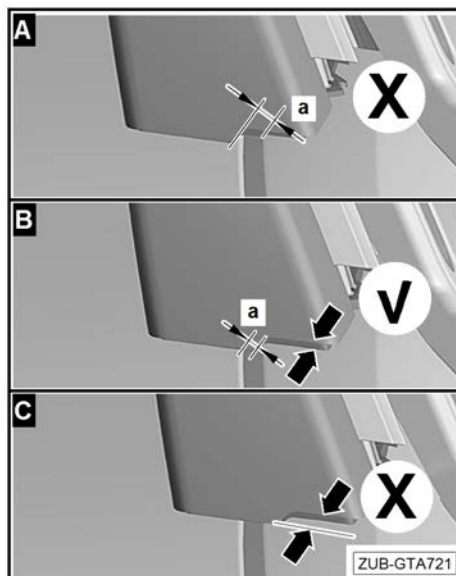


**Instructions for the qualified workshop if the position of the support bracket for the relevant vehicle is not set correctly.**

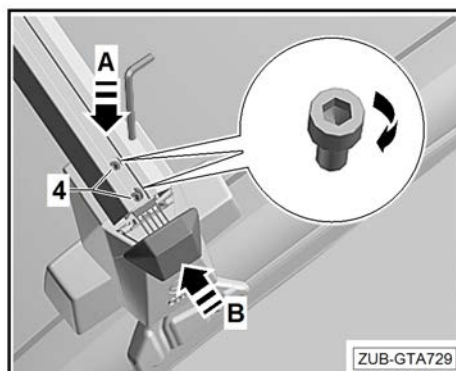
- Install the carrier units on the vehicle.
- Lift the right-hand profile cap -6- approx. -2 cm- out of the profile tube -3- to access the hexagon bolts -4-.
- Use a hexagon socket wrench -A- (5 mm) to unscrew the hexagon bolts -4- on the right-hand support bracket far enough that the support bracket can be moved. The carrier unit remains on the vehicle roof during this process.
- Adjust the right-hand support bracket so that the plastic base support with roof support -18- is flush with the edge of the roof -arrow-.



The gap -a- must not exceed 1 mm.



- Use a hexagon socket wrench -A- (5 mm) to tighten the hexagon bolts -4- to 8 Nm.
- Push the profile cap -6- back into the profile tube -3- -B-.
- Repeat the procedure on the other roof bar if necessary.





**WARNING**

***Check that all hexagon bolts have been tightened (8 Nm).  
If these guidelines are not observed, this can result in the  
carrier units becoming loose or falling off – risk of acci-  
dent!***

***Do not use the supplied torque wrench (4 Nm).***

